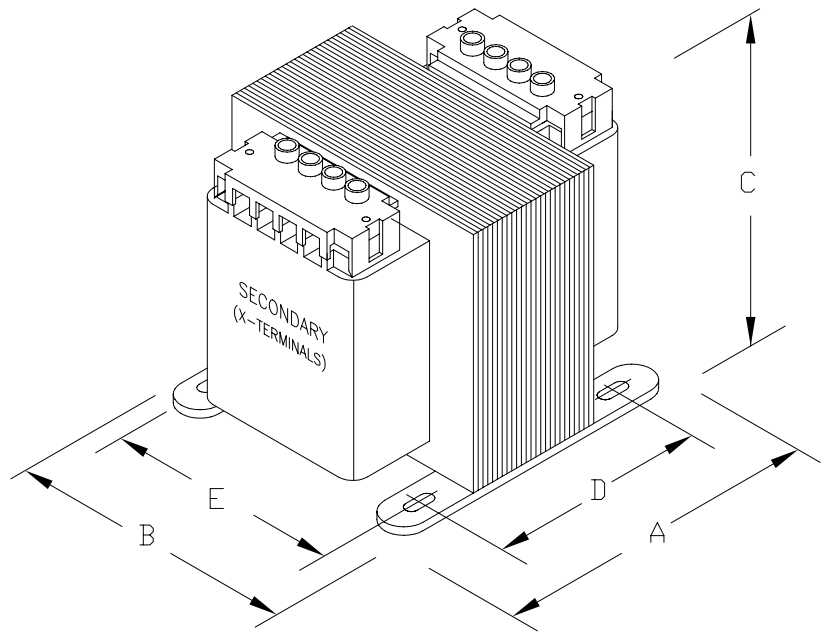


CONNECTION DIAGRAM



PROVIDED WITH SAFE TOUCH TERMINAL COVERS.  
NO INTEGRAL FUSING CAPABILITY.

DIMENSIONS							APPROX. WT. LBS (KG)
	A	B	C	D	E	MTG. SLOTS	
INCHES (MM)	7.00 (178)	5.25 (133)	4.50 (114)	5.38 (137)	4.38 (111)	0.313X0.1063 (8.0X27.0)	



CAT.NO. <b>M750-2050-GAF</b>		CONST. <b>ENCAPSULATED</b>		LISTED  CERTIFIED  IEC 61558	
		MODEL <b>GLOBALTRAN</b>			
<b>RATING</b>					
OUTPUT AMPS	6.52	PRIMARY V	550/575/600	TEMP. CLASS	HZ 50/60
VA	750	SECONDARY V	110/115/120	130°C	REVISION <b>G</b>